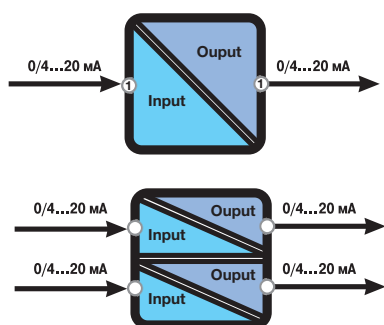




Z110

DC CURRENT ISOLATOR (SELF POWERED)



Z110 is a 4..20mA isolator powered through the input loop. It does not require any auxiliary power supply. Z110 is available in two different version: Z110S (single channel) or Z110D (double channel). A 2-way galvanic isolation between input // output circuits assures the integrity of your datas.

TECHNICAL SPECIFICATIONS

General Data

Power supply	From the 4-20 mA input loop
Power consumption	-
Isolation	1.500 Vac (2 way)
Power transducers	No
Accuracy	0,1%
Response time	100 ms
Status Indicators	Power supply, error, data transmission, data reception, input status
Setting	-
Mounting	35 mm DIN rail guide
Protection Degree	IP20
Operating Temperature	0..50°C
Dimension (W x H x D)	17.5 x 100 x 112 mm

Input

Channel Numbers	1 (Z110S), 2 (Z110D)
Current	4..20 mA

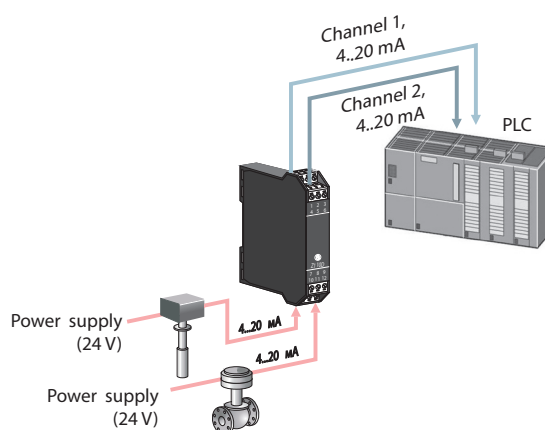
Output

Channel Numbers	1 (Z110S), 2 (Z110D)
Current	4..20 mA

Standard

Approval	CE
Norms	EN 50081-2; EN 55011; EN 50082-2; EN 61000-2-2/4; EN 50140/141; EN 61010-1

APPLICATION NOTE



ORDER CODES

Code	Description
Z110S	DC current isolator - Self powered (single channel)
Z110D	DC current isolator - Self powered (double channel)

SIMILAR PRODUCTS

Z109S	Z109UI2	Z170REG
Dc current isolator	DC current / voltage to DC current/voltage isolator/ converter	DC current/voltage duplicator/isolator
pg. 81	pg. 80	pg. 84